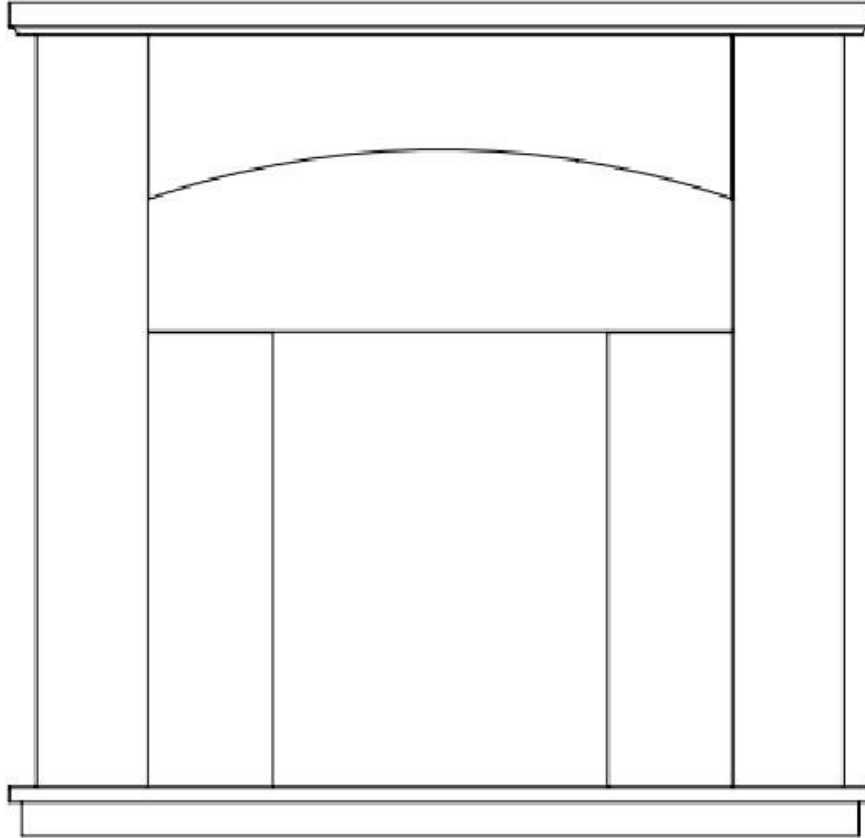


Installation and Users Instructions

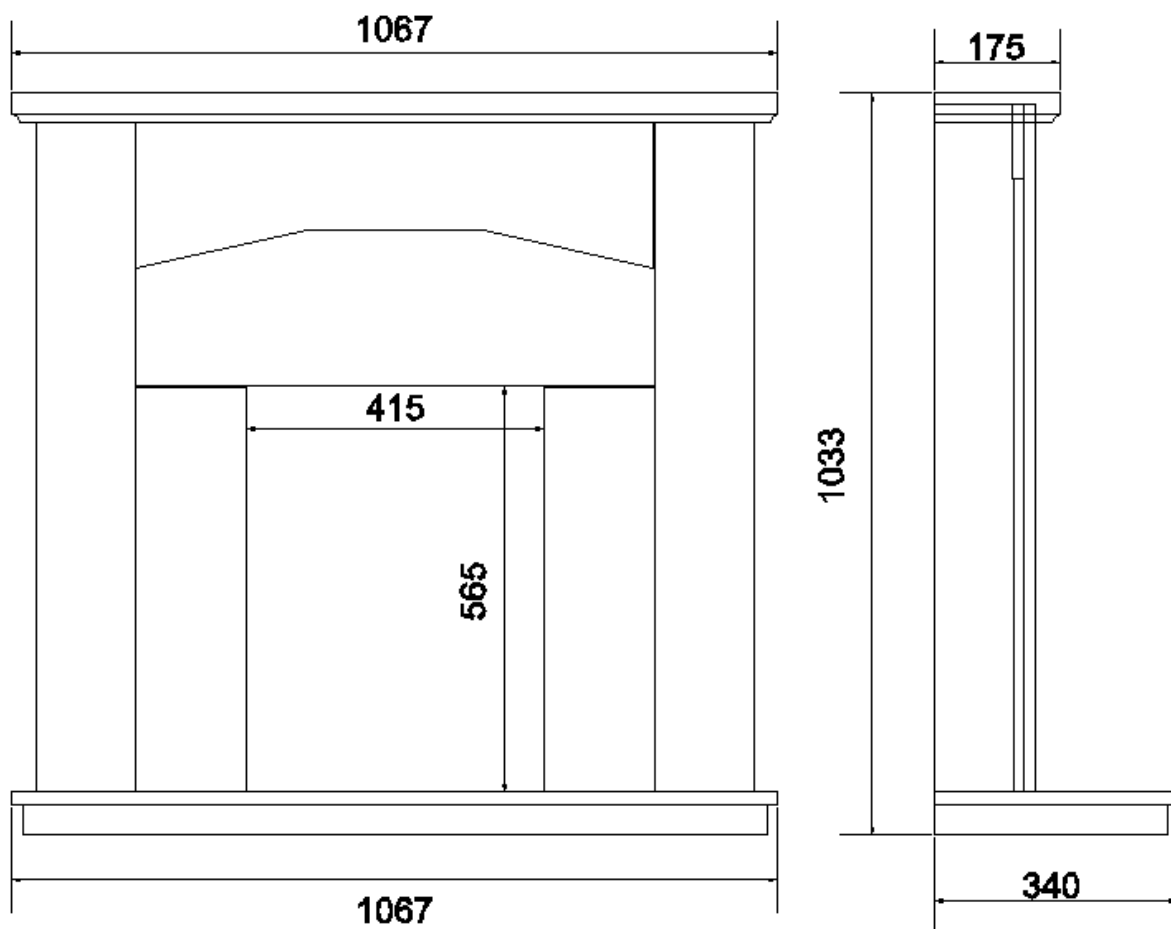


Model: Seattle Fireplace

**PLEASE READ THIS MANUAL BEFORE INSTALLING AND USING THE APPLIANCE.
INSTALLER: DO NOT DISCARD THIS MANUAL – LEAVE WITH THE CUSTOMER
SAVE THESE INSTRUCTIONS FOR FUTURE REFERENCE.**

SECTION 1 DIMENSIONS

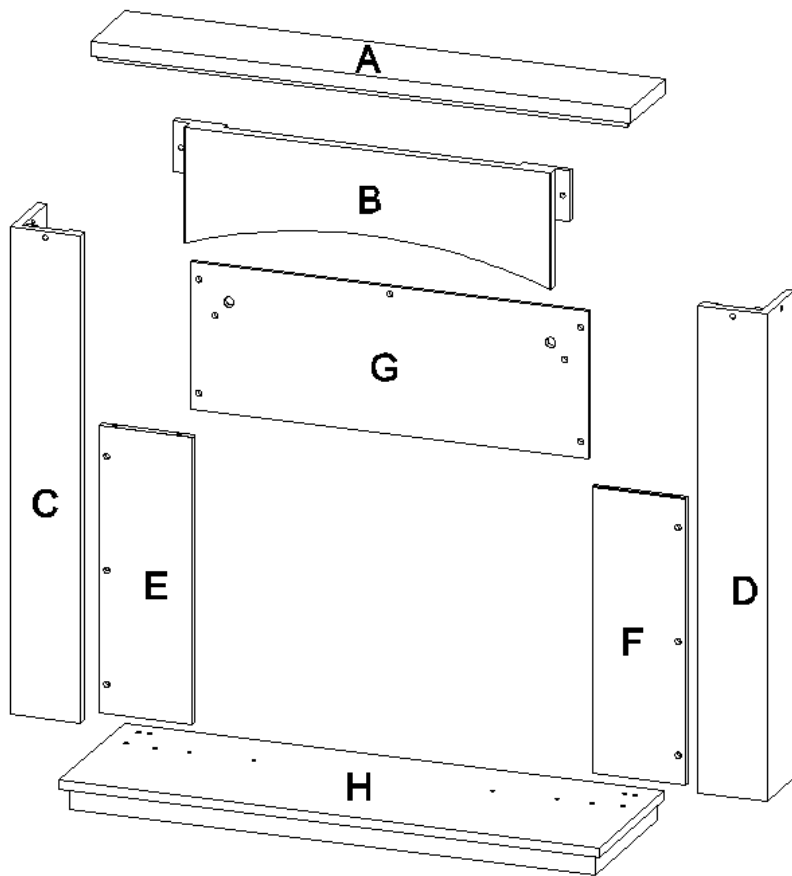
Dimensions in mm



SECTION 2 ASSEMBLY AND INSTALLATION

2.1 Unpack

- Open the package carefully and remove all pieces. Carefully inspect each part for any damage before you begin assembly.
- Make sure that you have all the parts listed below before assembling.



No.	Name	Quantity
A	Top panel	1
B	Front top panel	1
C	Left side panel	1
D	Right side panel	1
E	Second left panel	1
F	Second right panel	1
G	Second top panel	1
H	Base panel	1
I	Wood dowel \varnothing 6*30	8+1(Spare)
J	Wood dowel \varnothing 8*30	4+1(Spare)
K	Washer	23+3(Spare)
L	Screws M6*20mm	13+1(Spare)
M	Screws M6*25mm	6+1(Spare)
N	Screws M6*30mm	4+1(Spare)

NOTE: left and right of product are distinguished by its front view.

2.2 Before installation

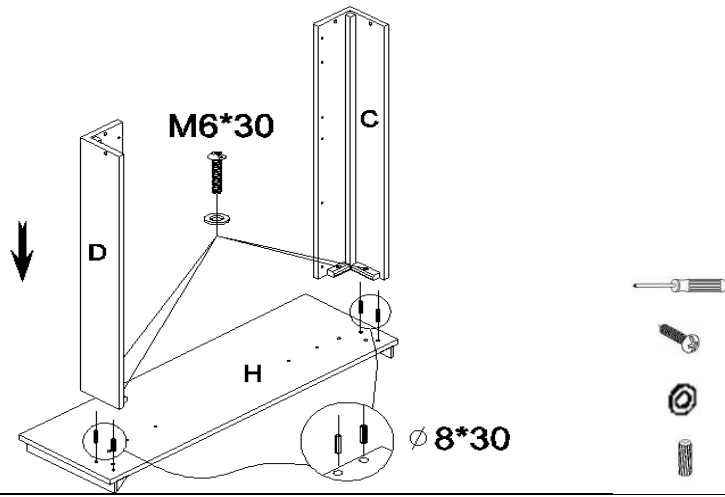
Tools required: magnetic phillips screwdriver



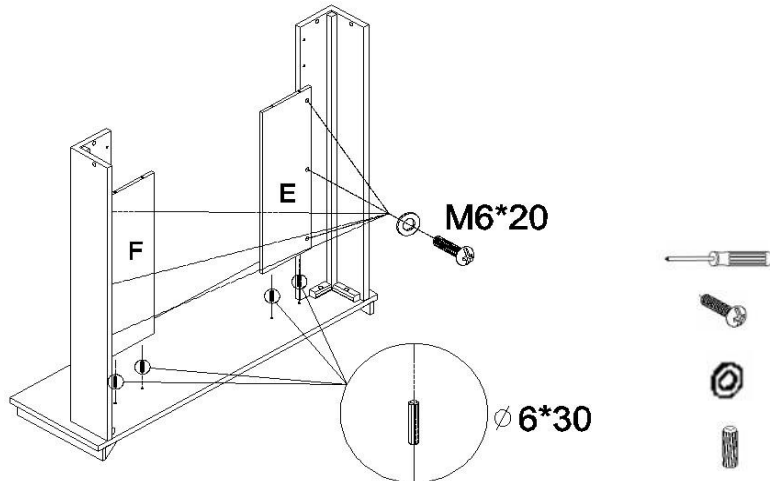
2.3 Installation

NOTE!

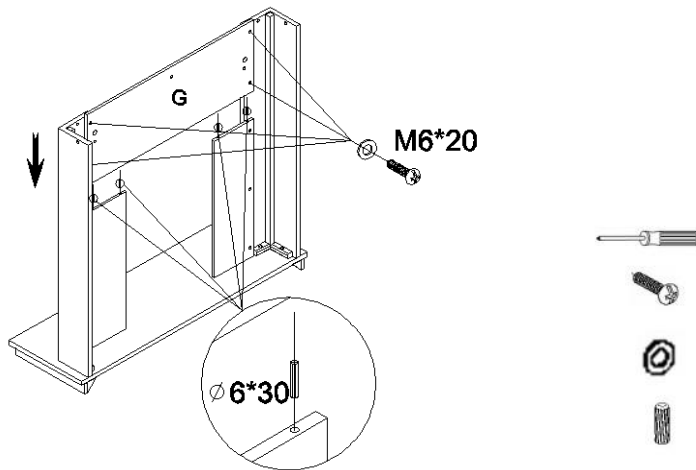
- Assembly required by two adults.
- This fireplace suite must be fitted to the wall. Mirror plates are supplied with the electric fire but any other suitable concealed fixing may be used.
- Use manual screwdriver only.
- Use washer when fixing with screws. Do not overtighten bolts.
- Do not use screws of other types or models, in case that the screws are too long, causing damage to mantels.
- Only fit the fire from the back of the fireplace so as not to scratch the mantel.



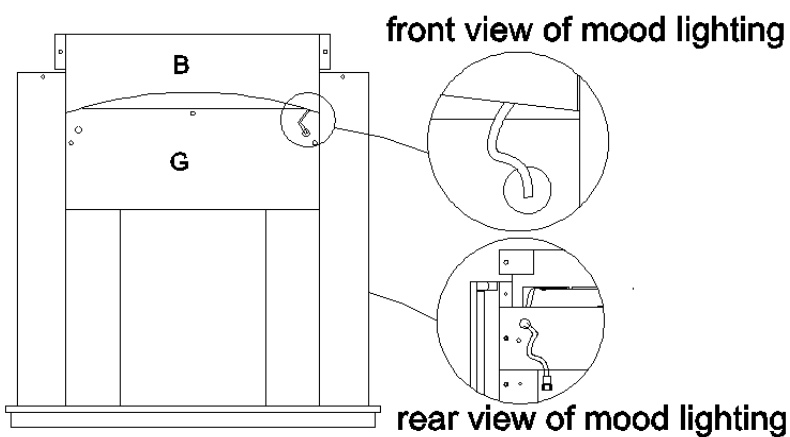
Step 1. Fix the side panels (C&D) onto base panel (H).



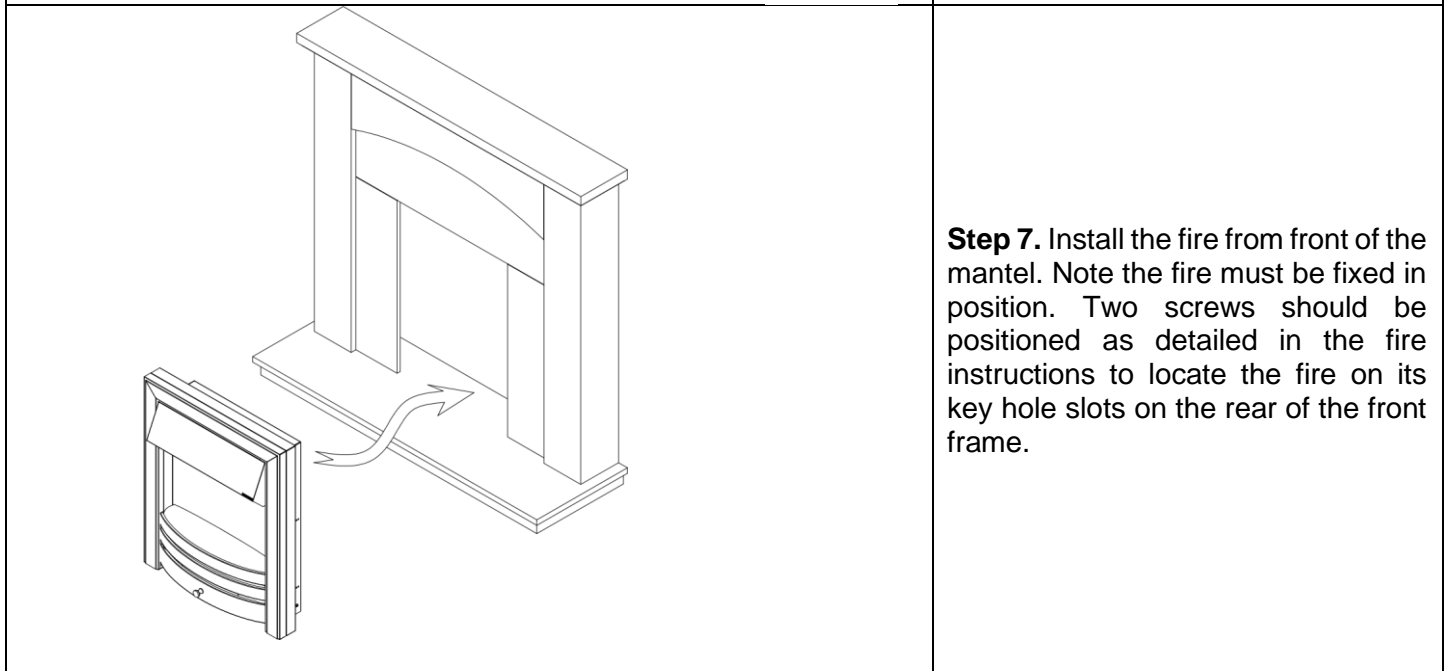
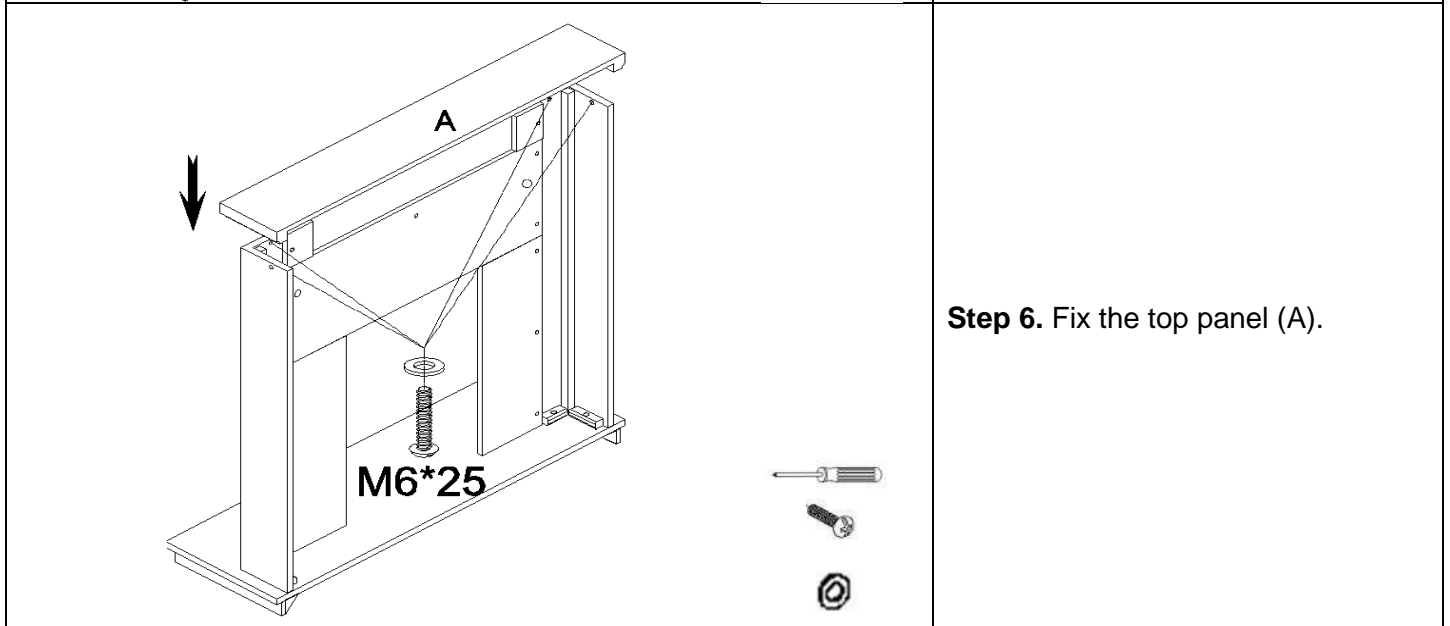
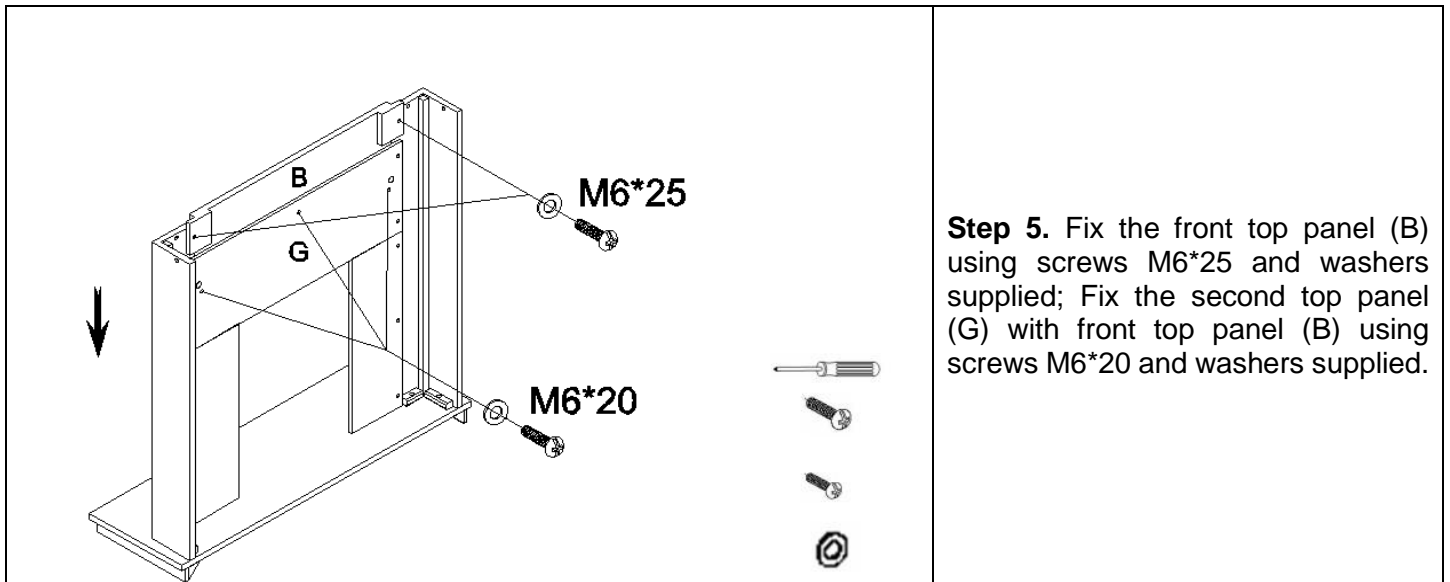
Step 2. Fix the second left and right panel (E&F).



Step 3. Fix the second top panel (G).



Step 4. Pass the socket and wire of mood lighting through the hole on the second top panel (G) before fixing front top panel (B); Check that the led strip is still pushed firmly down into position on the self- adhesive pads.



NOTE: This fireplace must be fixed to the wall. Mirror plates are supplied but any other suitable concealed fixing may be used.

SECTION 3 CLEANING & MAINTAINENCE

- 1 Your fireplace mantel surface coating will give off a slight smell for a short period of time. Try to ventilate as much as possible during this time.
- 2 Daily cleaning: Clean the mantel surfaces with a soft, lint-free cloth. Do not use cleaning or polishing products and try to avoid heavy or sharp articles which may damage the surface.
- 3 Avoid long-term direct sunlight, and excessive temperatures and humidity to protect the life of your furniture surface.